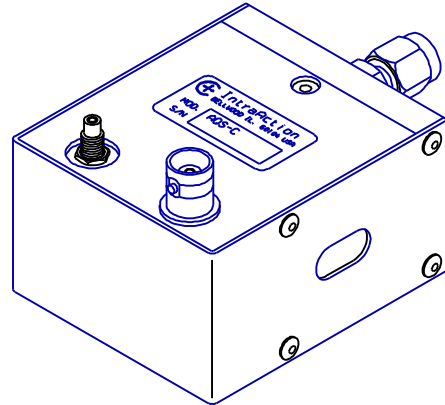


**MODEL AQS-C SERIES
BREWSTER WINDOW ACOUSTO-OPTIC Q-SWITCH**

- Cavity Loss Modulation
- Brewster Windows
- W / Low OH⁻ Content Material
- High Optical Power Capability
- High Reliability
- Excellent Temp. Stability



SPECIFICATIONS

Optical Power Capability	500 Mwatts/cm ²
Optical Rise Time	160 nsec/mm optical beam diameter
Static Optical Insertion Loss	0.3 percent
Optical Polarization	Perpendicular to mounting surface
Input Impedance/VSWR	50 ohms/1.25
RF Connector	BNC
Heat Exchange	Water cooled 250 ml/min
Size (less connectors)	2.73 D x 1.50 H x 2.5 W inches 6.94 D x 3.81 H x 6.4 W cm

MODEL

	<u>AQS-245C1</u> <u>AQS-275C1</u>	<u>AQS-245CW1</u> <u>AQS-275CW1</u>	<u>AQS-244CW12</u>
Optical Wavelength	.7 - 1.1 microns	1.32 microns	2 microns
Fused Silica Material	standard 4101	low OH ⁻ content	low OH ⁻ content
Center Frequency ¹	24 MHz 27.12 MHz	24 MHz 27.12 MHz	24 MHz
Beam Separation	4.3 mrad(1.06μm) 4.8 mrad(1.06μm)	5.3 mrad 6.0 mrad	8.1 mrad
Active Aperture ²	3 x 12 mm	3 x 12 mm	2.5 x 12 mm
Loss Efficiency	40 percent	40 percent	40 percent
RF Drive Power ³	12 watts(1.06μm) ³	20 watts	40 watts

¹ Other frequencies are available.

² Active aperture heights to 4 mm are available.

³ RF drive power required is proportional to optical wavelength squared.